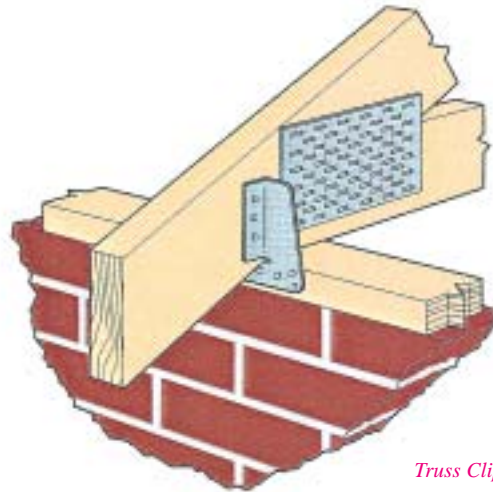


Builders Metal Work

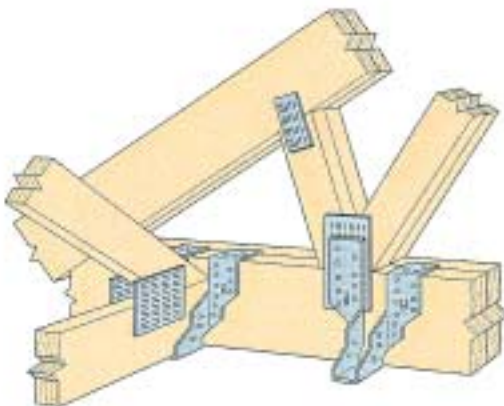
Metalwork for timber-to-timber and truss to masonry connections are always required at some point in a roof structure.

MiTek Industries Limited are leading suppliers of all fixings necessary for the erection of trussed rafter roofs.

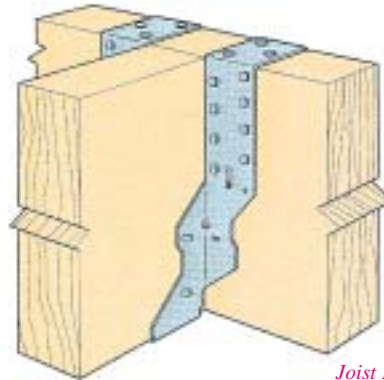
A separate catalogue is available detailing the full range of fixings we stock and supply, but detailed below are just some of the products available.



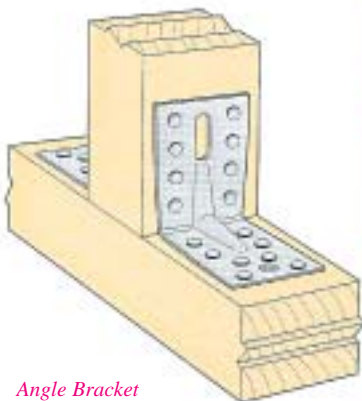
Truss Clip



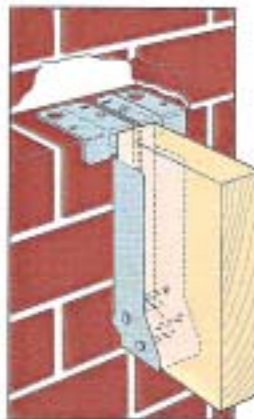
Truss Hanger



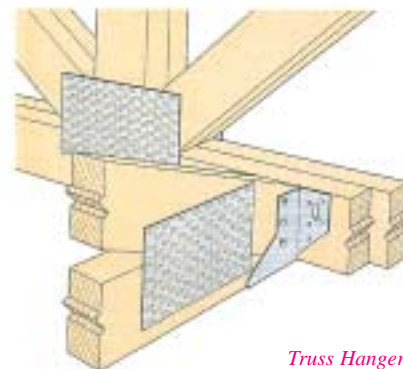
Joist Hanger



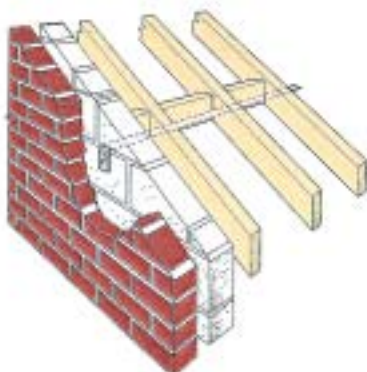
Angle Bracket



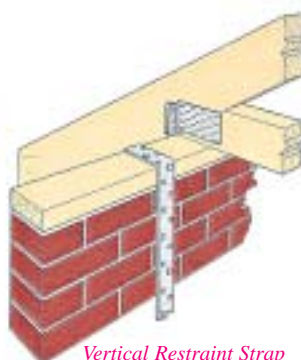
Masonry Hanger



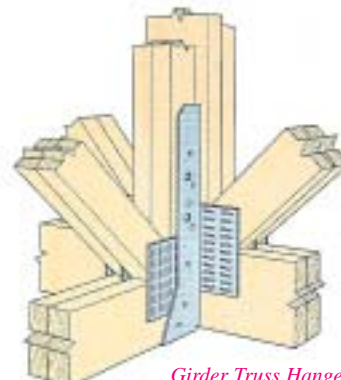
Truss Hanger



Lateral Restraint Strap



Vertical Restraint Strap



Girder Truss Hanger